



PORTABLE CAR CCTV

www.Emergency.sg

Emergency.sg is subsidiary of Fort Digital Pte Ltd (www.FortDigital.com.sg). All materials are copyrighted by Fort Digital Pte Ltd. All Rights Reserved.

Recommended Accessories: You can purchase these accessories at www.Emergency.sg website.



Cigarette Lighter to 3 Pin Home Plug



Cigarette Lighter Extension Socket



Memory Card

www.Emergency.sg

Emergency.sg is subsidiary of Fort Digital Pte Ltd (www.FortDigital.com.sg). All materials are copyrighted by Fort Digital Pte Ltd. All Rights Reserved.

Quick Installation

1. Insert a SD MEMORY CARD into the CAR CCTV until you hear a click sound.

Use 4GB, 8GB, 16GB, or 32GB SD CARD. Clear the content in your SD Card if any, otherwise CCTV won't be able to record.
2. Insert BATTERY into back compartment of the CCTV Console. Then install the STAND and MOUNT to your windscreen. Preferable mount it at MIDDLE TOP of your windscreen to cover larger area. Do not mount at your Solar Film, the powerful suction will damage your film. Put some moist or water drops at the suction cup to strengthen the suction.
3. Plug the CIGARETTE LIGHTER POWER into the CCTV and the other end to your car cigarette lighter.
4. When you START YOUR CAR, you will see the Battery RED LIGHT is ON, means it's charging the battery (red light off means battery fully charged). Together, you will see BLUE LIGHT (Work Indicator) is also ON.

If the BLUE LIGHT is start **BLINKING PERIODICALLY**, means it's recording video. If BLUE LIGHT is **NOT BLINKING**, the CCTV is ON but NOT recording.

Check your SD Memory Card for free space and lock/unlock if it doesn't record.

Specifications:

- Image sensor: 1/4 color CMOS
 - Recording Resolution: 640X480 @ 30FPS
 - Recording file: AVI video format, playable on windowns media player
 - Real Time & Date displayed on the video
 - Repeat storage by section, 5 minutes per video
 - SD Card support up to 32GB
 - Video file size: 600KB/second
 - Supplied by rechargeable li-ion battery, USB cable or 12V car outlet
 - Battery can last 1-3 hours (depends on intensity of videos) if fully charged without power from cigarette lighter adaptor
 - Interface : USB / AV out
 - Camera Console Size: 78(L)x62(W)x29(H)mm
 - Weight 50 gram (camera console)
 - Cigarette Lighter cable length 2.5 m
 - Packaging Box Size 167(L)x80(W)x101(H)mm
- ALL SPECIFICATIONS MIGHT CHANGE WITHOUT PRIOR NOTICE**

Recording Capacity:

Roughly 1/2 Hour of recording will consume 1 GB of memory. So a 4GB SD Card able to record straight 2 hours of videos before overwriting. Each video clips is roughly 80Mb – 90Mb, roughly 5 minutes of video for each clip.

Set Time and Date Stamp

1. Make sure you already insert the SD MEMORY CARD and BATTERY into the CCTV before setting the Time & Date Stamp.
2. Using the AV Cable, Plug the CCTV into to TV's AV port.
3. Turn on the CCTV now, you will now able to see the CCTV Video in your TV. The CCTV must NOT in RECORDING mode. BLUE LIGHT stable means no recording, blinking means recording, so stop the recording by press the REC/PLAY button, or press MODE button to exit recording mode.
4. Press TIME button now, and you will see in your TV Screen the DATE & TIME setting.
5. Press TIME button again to choose which part of DATE/TIME you want to change. And press REC/PLAY to change the value UP and MODE button to change the value DOWN.
6. Once you are done, press the TIME button until you exit the TIME SETTING mode.

Remember to re-set TIME & DATE again if you remove the battery and memory card.

Warranty & Disclaimer of Use

Warranty is 1 year from date of purchase. Please keep original receipt or other proof of payment for claim of warranty.

Only the CCTV Console is covered with 1 year warranty. Other accessories such as battery, cables, cigarette lighter adaptor, suction cup stand are covered 3 month from date of purchase.

Warranty covers only product or factory faulty, not by human error or misuse such as short-circuit, car power issues, force majeure, wet / extreme heat conditions, etc.

For repair of products, please bring to Fort Digital Pte Ltd's office, or your representative office at your countries.

Do not use this product at discreet or prohibited places.

PLEASE USE THIS PRODUCT RESPONSIBLE. FORT DIGITAL PTE LTD DOES NOT RESPONSIBLE FOR ANY CONSEQUENCES ARISING FROM USAGE OR FAILURE OF THE SYSTEM.

Retrieve Recorded Video

You can retrieve recorded videos by taking out the SD Memory Card and insert into your computer's card reader as usual and copy all videos into your PC (some card readers need to be upgraded it's driver to read newer SD Card like HC Types). You can also use included USB Cable to connect direct CCTV to PC without have to take out the SD CARD. No Driver required when you plug the USB cable to your PC.

Or you can view the video in your TV straight. To do that, connect the AV Out link to the TV, press MODE BUTTON until you see video selections, then click REC/PLAY button to select videos. Press TIME button to decide recording and press REC/PLAY to play/stop.

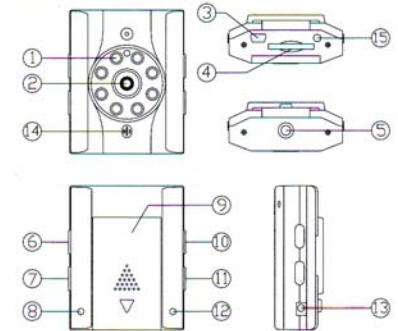
Cycle Recording

This CCTV records in cycle. When the SD Memory Card is full, it will record from the beginning again and erase over the previously recorded materials automatically. It will have 2-8 seconds pause time, and namely the contents in the 2-8 seconds will not be recorded.

Manual Recording

If you are NOT CONNECTED to your cigarette lighter power, you still able to record as far as the battery able to hold. To manually START recording, simply turn on the CCTV (Press Power Switch button until you hear beep) and you will see the BLUE LIGHT is BLINKING means it's recording. To stop recording, you just press REC/PLAY button before TURN OFF. Improper stop-recording procedures will results in loss of videos. Fully Charged battery able to record up to 1-3 hours without power from cigarette lighter adaptor.

Product Picture and Function



- | | |
|---------------------|---------------------------------|
| 1. IR LED | 9. Battery Cover |
| 2. Lens | 10. Power Switch |
| 3. USB Slot | 11. Mode Switch(Record/Preview) |
| 4. SD/MMC Card Slot | 12. Charging Indicator |
| 5. Fixed Slot | 13.5V Direct Current Slot |
| 6. Time Set Switch | 14. Microphone |
| 7. Record / Play | 15. AV-out |
| 8. Work Indicator | |

Attached Accessories

- Manual
- Li-ion Rechargeable Battery
- USB Cable
- 12V/24V Car Charger
- Mount
- AV Cable